



PARTING BEADS



Used to create a "reveal" when mouldings of varying thickness/types are joined.

Parting beads are used to "part" different mouldings. Commonly used in trimming doors and windows when door/window mantels are used. (See illustration on this page).



816 NOME I
FO 1/4 X 1 1/4



190 FRENCH
FO 3/8 X 1 1/4



019 NOME II
FO 3/8 X 1 1/4



029 NOME III
FO 1/2 X 1 1/4



194 DIVA
FO 1/2 X 1 1/4



329 PRINCETON
9/16 X 1 1/4



017 CHIPPENDALE
3/4 X 1 1/4



024 GEORGIAN
3/4 X 1 1/4



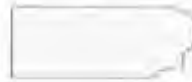
082 FRENCH
3/4 X 1 1/4



540 TAHIK
1 X 1 1/4



719 MARLO
1 X 1 1/4



992
1/2 X 1 1/4



107 DOUGLAS
1 1/8 X 2



103 ROSE
1 1/4 X 1 1/2



517 NEWEL
1 1/4 X 2



270 CAMERON
1 5/16 X 1 1/2

Door/window crown

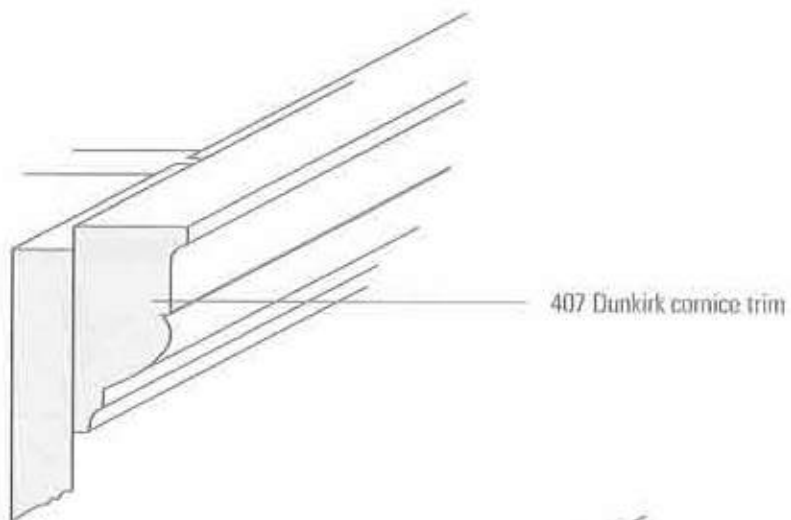
French parting bead

Casing

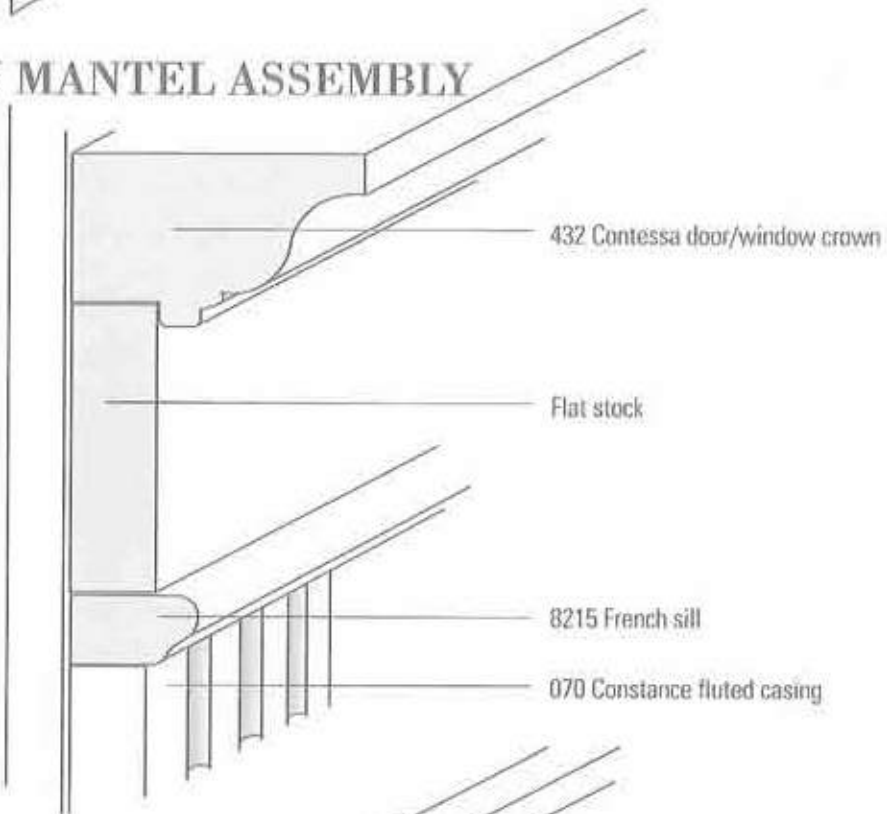


Illustrations are 3/4 Scale

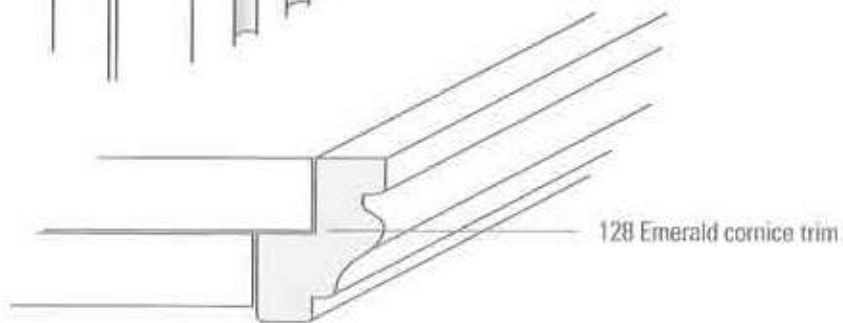
A. CABINET TOP



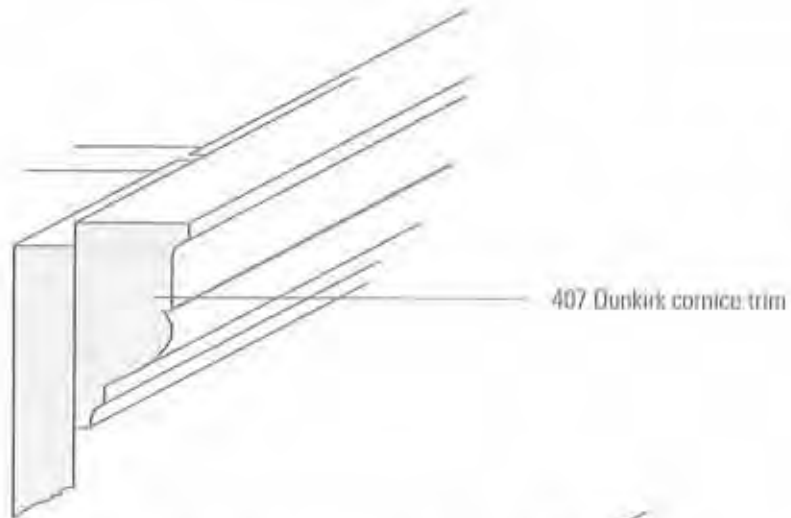
B. DOOR/WINDOW MANTEL ASSEMBLY



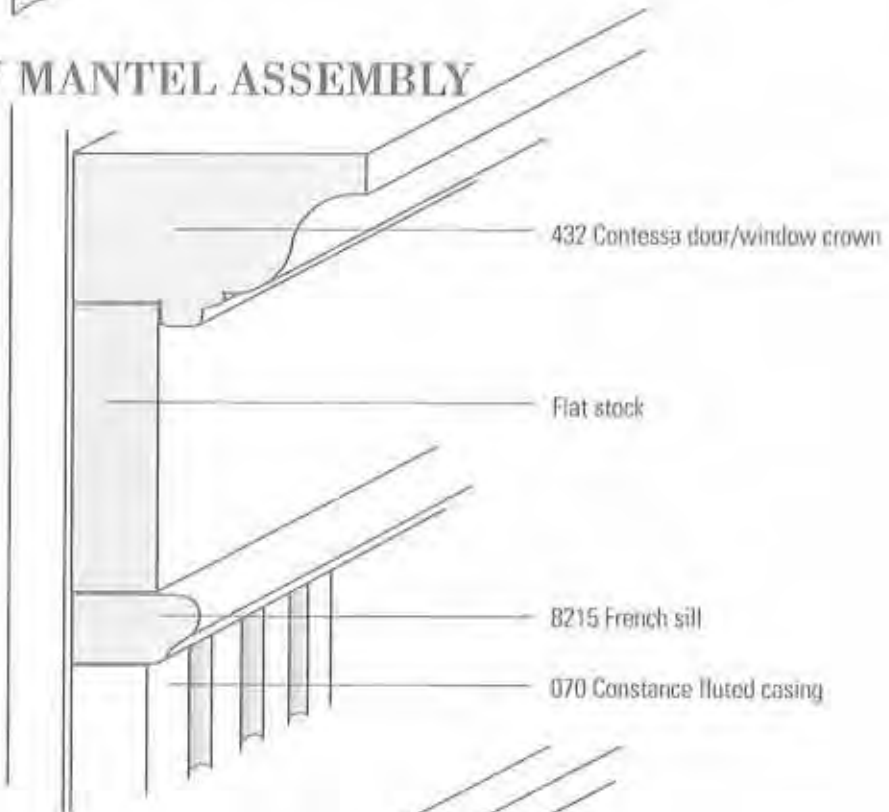
C. SHELF EDGE



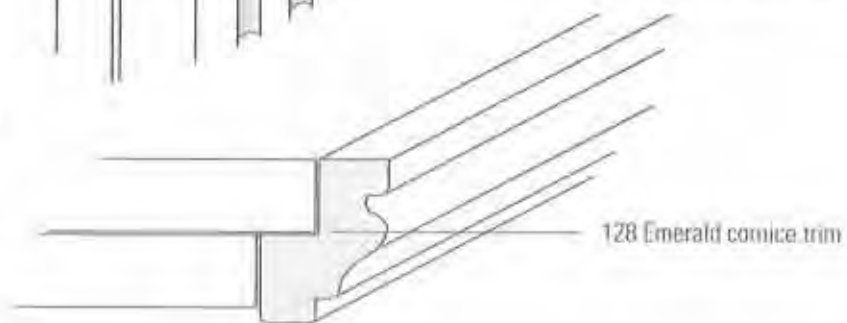
A. CABINET TOP

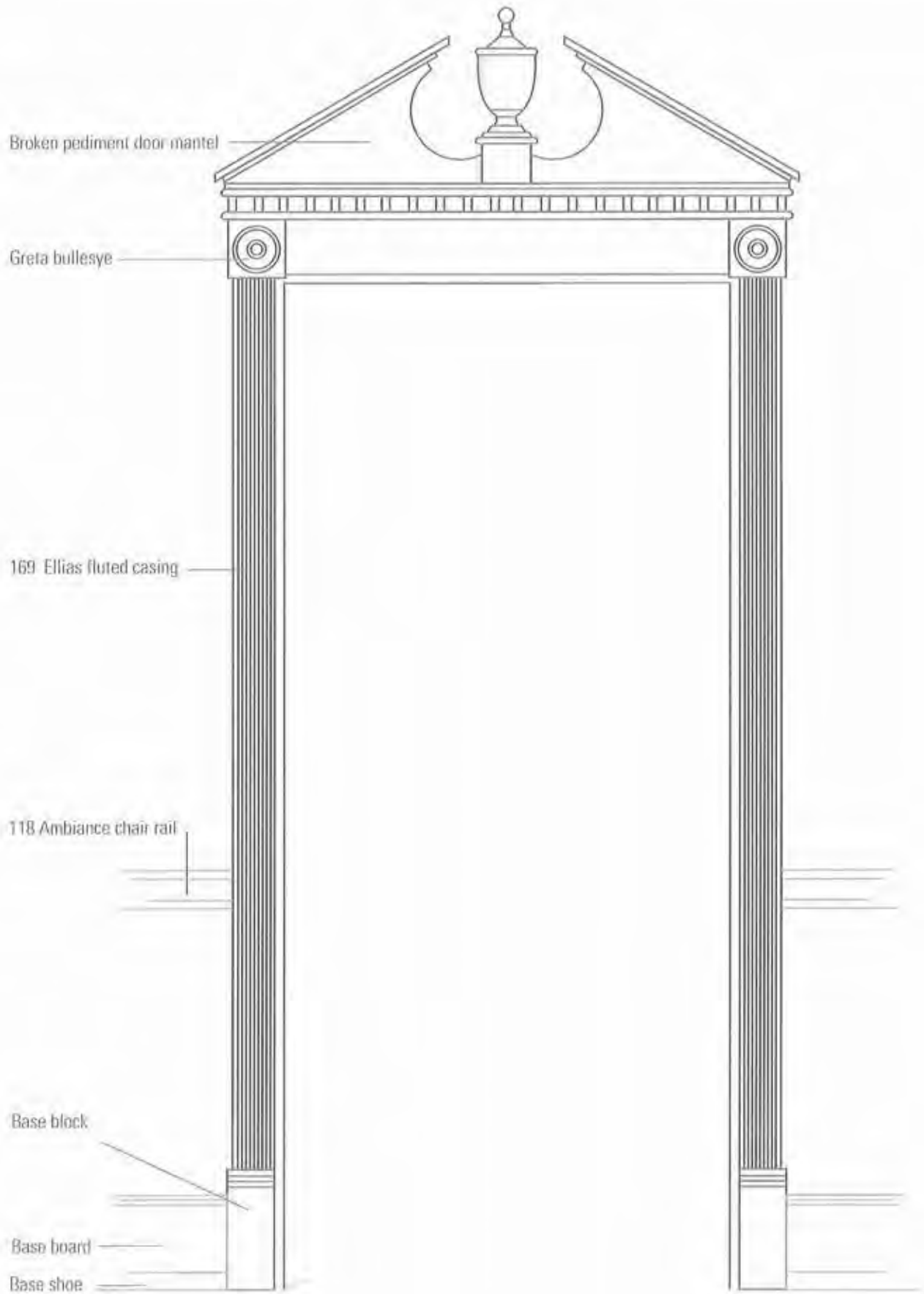


B. DOOR/WINDOW MANTEL ASSEMBLY



C. SHELF EDGE







SYMMETRIC CASINGS/MOULDINGS



Symmetrical mouldings are used to case doors and windows, as chair rails, as mullions, and a variety of other decorative purposes.

When used as casing, symmetrical mouldings are typically used with baseblocks and/or bullseyes or other over door/window treatments. (See illustration on page 29).



1038 ARESTIA
1/2 X 1 1/8



184 ELROY
9/16 X 1 7/16



1041 DIGBY
5/8 X 1 9/16



216 AMBIANCE
FOM 11/16 X 1 3/4



632 CAIN
13/16 X 1 3/4



607 KENTWOOD
11/16 X 2



1010 DUNSMUIR
11/16 X 2 1/8



552 WHIPPLE
5/8 X 2 1/4



670 MESA
1/2 X 2 1/4



022 CONSTANCE
FOM (2 FLUTE)
11/16 X 2 1/2



039 BABY GRECIAN
FOM 11/16 X 2 1/2



189 WINDSOR OVAL
F 11/16 X 2 1/2



262 ELROY
11/16 X 2 1/2



263 LOUIS
11/16 X 2 1/2



304 AMBIANCE
FOM 11/16 X 2 1/2



341 GENEVIEVE
F 11/16 X 2 1/2



474 ST. LAURENT
5/8 X 2 1/2



482 CAROLINA
11/16 X 2 1/2



503 DAISY
FOM 11/16 X 2 1/2



504 KRISTEN
5/8 X 2 1/2



507 STEM RAIL
11/16 X 2 1/2
*illus. on pg 37



542 TALLULAH
11/16 X 2 1/2

Illustrations are 3/4 Scale



574 PAULINE
1/2 X 2 1/2



589 CHLOE
1 1/16 X 2 1/2



605 STERLING
5/8 X 2 1/2



651 DERBY
7/16 X 2 1/2



703 GILDA
1/2 X 2 1/2



788 TOBIAS
1 1/16 X 2 1/2



831 HEMET
1 1/16 X 2 1/2



849 ALANA
1 1/16 X 2 1/2



959 SULLIVAN
1 1/16 X 2 1/2



316 SIAM
1 1/16 X 2 5/8



380 SABRINA
1/2 X 2 3/4



124 VENETIAN
1 1/16 X 3



725 SIROCCO
1 1/16 X 3 1/4

848 ALANA
5/8 X 3 1/4



013 WINDSOR OVAL
F 1 1/16 X 3 1/2



014 NINA
1 1/16 X 3 1/2



023 CONSTANCE (3 FLUTE)
FOM 1 1/16 X 3 1/2



118 AMBIANCE
FOM 1 1/16 X 3 1/2



159 CAMILLA
FOM 1 1/16 X 3 1/2



168 HUMMEL
1 1/16 X 3 1/2

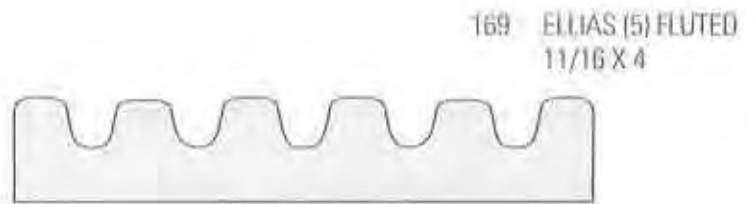
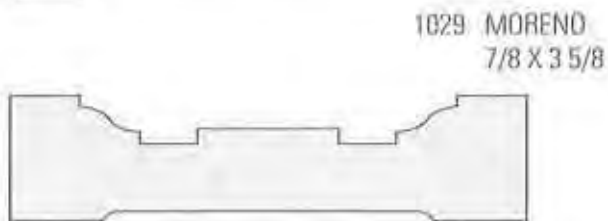


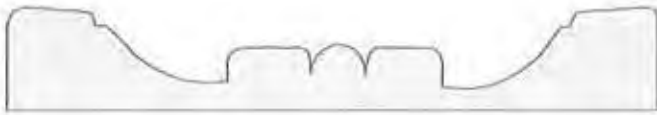
181 GRECIAN
FOM 1 1/16 X 3 1/2



185 BEADED RAINBOW
FOM 1 1/16 X 3 1/2"







066 VENUS SYMMETRIC

11/16 X 4 1/2



072 BEADED RAINBOW

F 11/16 X 4 1/2



323 SOPHIA

11/16 X 4 1/2



391 BARTELSON

11/16 X 4 1/2



460 SULLIVAN

11/16 X 4 1/2



662 CALCUTTA

11/16 X 4 1/2



704 CORNELL

11/16 X 4 1/2



740 FAUST

11/16 X 4 1/2



745 MERCEDES

FOM 11/16 X 4 1/2



830 WILLIAMETTE

1 X 4 1/2



853 GRECIAN

FOM 11/16 X 4 1/2



963 STALLONE

11/16 X 4 1/2



981 VOLLMER
11/16 X 4 1/2



791 HAVARTI
7/8 X 4 3/4



920 CALCUTTA
11/16 X 4 3/4



987 STAYTON
7/8 X 4 3/4



010 MARIETTA
FOM 11/16 X 5



069 CONSTANCE (4)
FOM FLUTED
11/16 X 5



070 CONSTANCE (3)
FLUTED
11/16 X 5



307 CALCUTTA
11/16 X 5



336 CAUDILL
11/16 X 5



594 HENREDON
11/16 X 5



819 DESERAE
11/16 X 5



443 AMHURST
11/16 X 5 1/8



529 VALDEN
11/16 X 5 1/4



897 PRADO
11/16 X 5 1/4



1014 STALLONE
11/16 X 5 1/4



281 RAVENNA
11/16 X 5 3/8



376 SCARSDALE
11/16 X 5 3/8



408 MERCEDES
FOM 11/16 X 5 3/8



751 CALCUTTA
11/16 X 5 3/8



821 PADGETT
11/16 X 5 3/8



003 GABRIELLE
FOM 11/16 X 5 1/2



034 POMPEII II
11/16 X 5 1/2



035 GRECIAN
FOM 11/16 X 5 1/2



321 NINA
11/16 X 5 1/2



419 DANTE'
11/16 X 5 1/2



492 BUCKLAND
11/16 X 5 1/2



623 ALANA
11/16 X 5 1/2



763 DAUPHINE
11/16 X 5 1/2



864 WEDENER
11/16 X 5 1/2



889 CALCUTTA
11/16 X 5 1/2



900 GARTELL
7/8 X 5 9/16



600 DAMASCUS
1 1/4 X 5 3/4