



277 EDGEWORTH
11/16 X 2 7/8



309 UPTON
11/16 X 3



660 DEL RAY
11/16 X 27/8



434 BELLFLOWER
11/16 X 3



673 FITZGERALD
11/16 X 27/8



910 SPRINGSTUN
5/8 X 3



823 JOHANN SIN
13/8 X 3 1/8

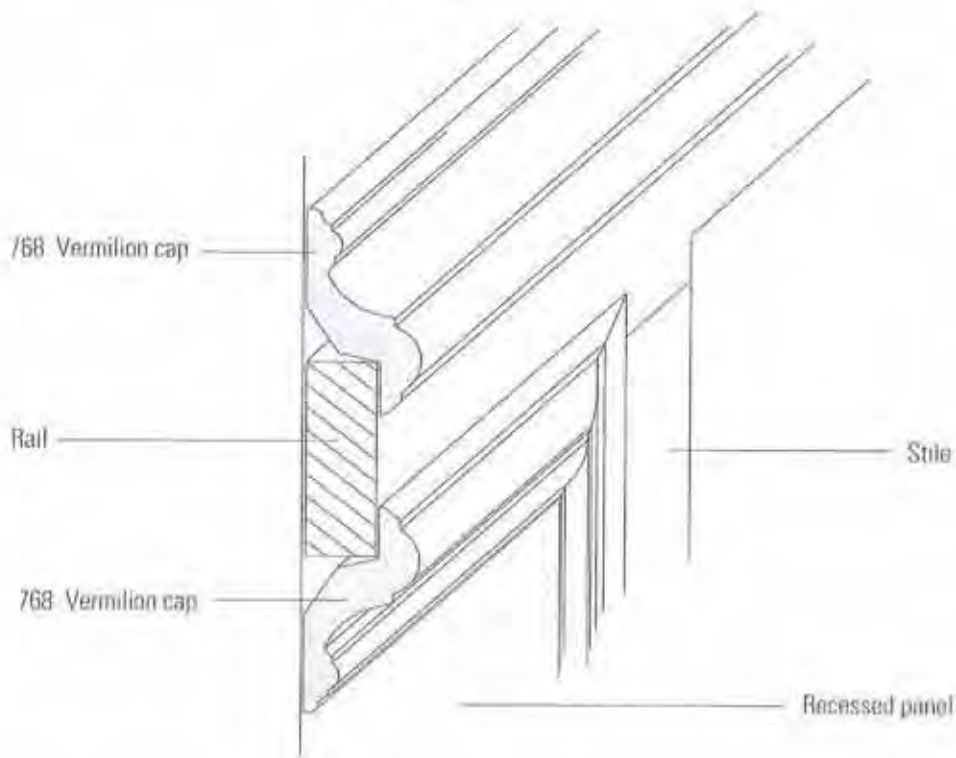


667 BLOOMINGTON
7/8 X 27/8



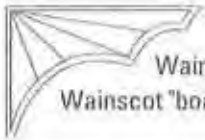
792 ARRABITO
7/8 X 37/8

STILE AND RAIL PANEL.
"construction detail"





WAINSCOTING



Wainscot is used as a wall or ceiling treatment.
Wainscot "boards" can be "tongue and groove" or lap joined.

Usually wainscoting extends from the floor to 30-48" up the wall.
The top of wainscoting is finished with a cap.
(See illustration on page 46).

117 CHARLOTTE
11/16X31/2



137 ROLL-TOPBEAD
3/8X11/8

170 WESTERN
11/16X31/2

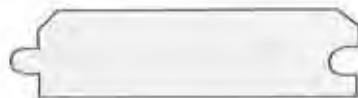


546 KALIL
1/2X11/2



777 PENELOPE I
11/16X15/8

276 GOODWIN
5/8X31/2



978 MCKEAN
9/16X23/8

688 VIVIAN
7/8X33/4

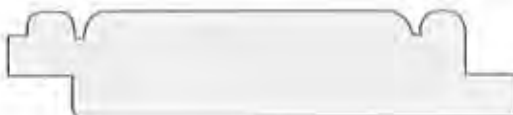


311 MELROSE
11/16X21/2



657 LIONETTE
3/8X29/16

778 PENELOPE II
11/16X51/2

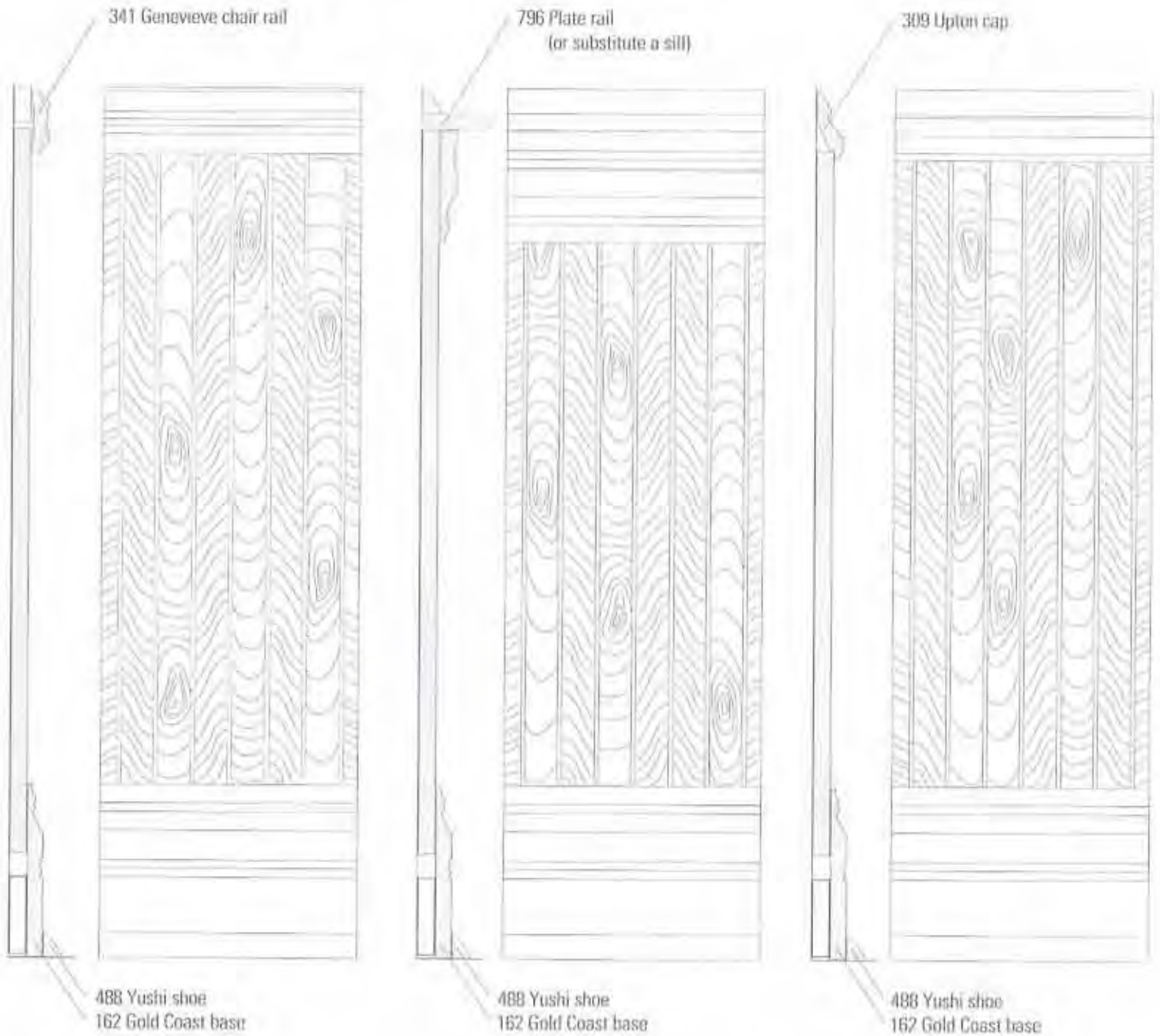


007 JAMESTOWN
11/16X31/2



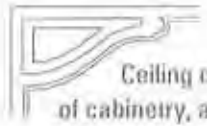
Illustrations are 3/4 Scale

WAINSCOTING IDEAS





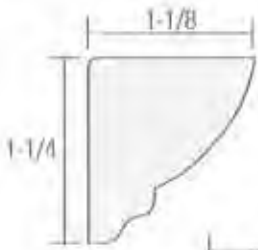
CEILING CROWNS



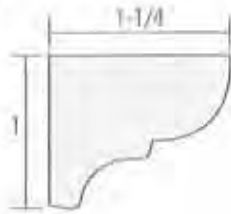
Ceiling crowns are used at the wall/ceiling juncture, on top of cabinetry, and below shelves.

Ceiling crowns are used alone and in combination with other mouldings to form built-up crown systems. (See illustration on page 59).

Crown size depends on ceiling height and room size. For rooms with 8' ceilings 2-1/2" to 4-1/2" crowns work well. Use larger crowns or built-up crown systems in rooms with higher ceilings or to achieve a special effect.



047 ERIN
1 1/8 X 1 1/4



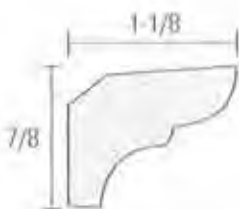
732 NAVAJEA
1 1/16 X 1 1/4



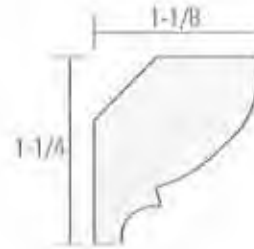
856 AGNEW
1 1/16 X 1 3/8



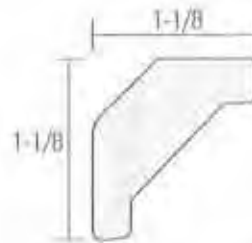
055 BABY FRENCH
1/2 X 1 1/2



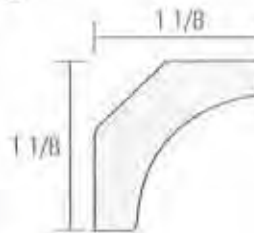
874 D'KEEFE
1 1/16 X 1 1/2



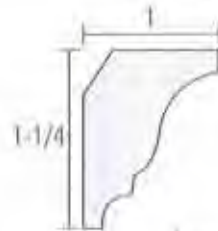
053 ROSARIO
1 1/16 X 1 5/8



506 SNOWDEN
1 1/16 X 1 5/8



729 SENECA
F 5/8 X 1 5/8



947 AZURE
1 1/16 X 1 5/8

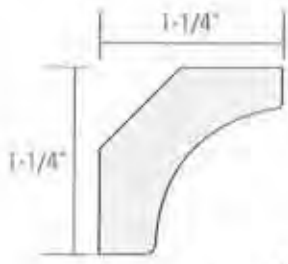


056 SUSSEX
FOM 1 1/16 X 1 3/4

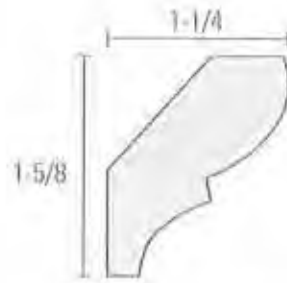


403 BABY AVONDALE
F 1 1/16 X 1 3/4

Illustrations are 3/4 Scale



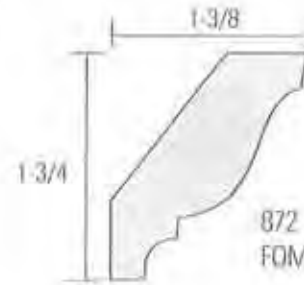
477 SENECA
F 11/16 X 13/4



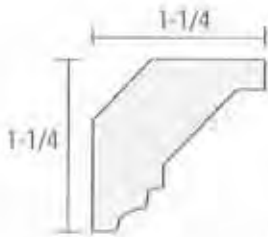
1024 HOFFER
11/16 X 2 1/8



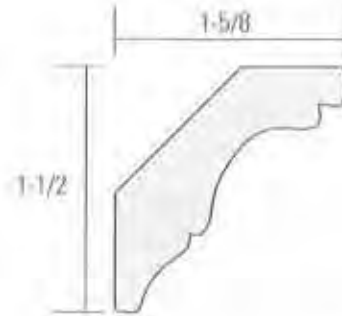
701 SALTIC
11/16 X 1 3/4



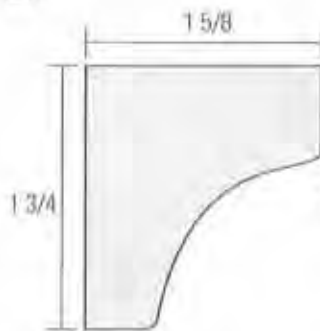
872 BETHEL
FOM 11/16 X 2 3/16



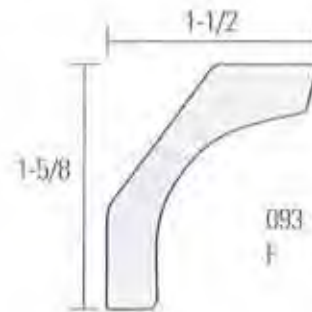
968 BARTON
11/16 X 1 13/16



041 FRENCH DELUXE
FOM 11/16 X 2 1/4



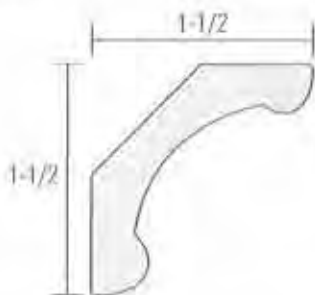
098 SENECA
1 3/4 X 1 7/8



093 SENECA
F 11/16 X 2 1/4



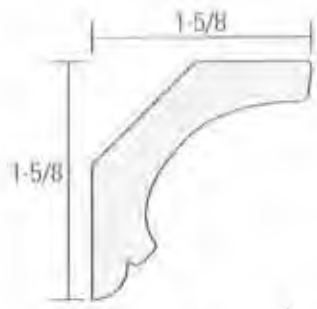
417 AMBER
11/16 X 2



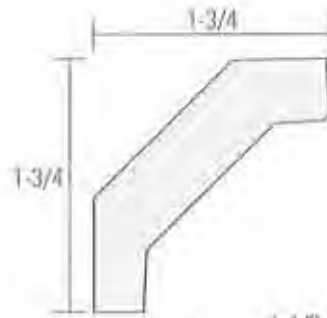
502 COVENTRY
11/16 X 2 1/8



314 VISKA
11/16 X 2 1/4



459 LUCIUS
11/16 X 2 1/4



495 SNOWDEN
11/16 X 2 3/8



681 BOSCH
11/16 X 2 1/4



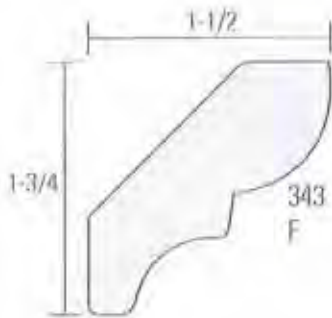
037 FRENCH
F 11/16 X 2 1/2



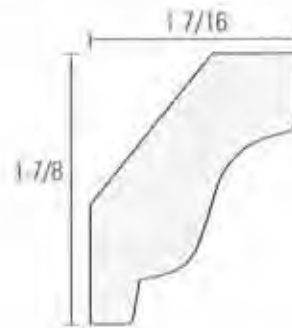
057 AVONDALE
F 11/16 X 2 3/8



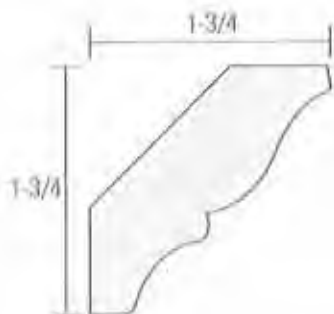
790 JANAY
7/8 X 2 1/2



343 WILHELM
F 11/16 X 2 3/8



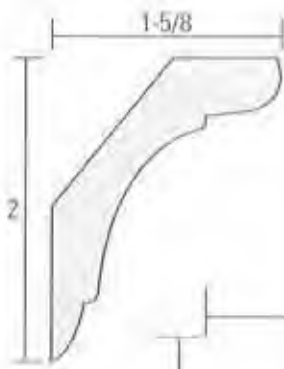
896 AVONDALE
7/8 X 2 1/2



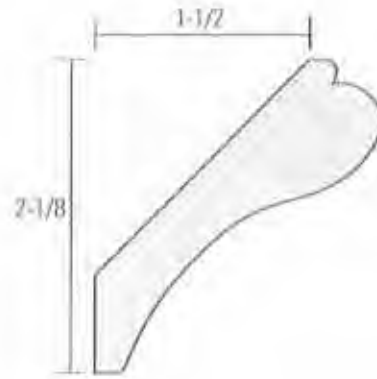
359 ELMIRA
11/16 X 2 3/8



1061 SHEPPARD
5/8 X 2 1/2



347 HENDON
11/16 X 2 9/16



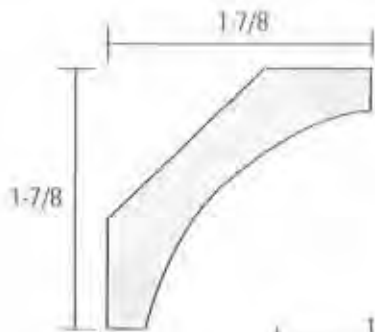
081 JENNYBED
11/16 X 2 5/8



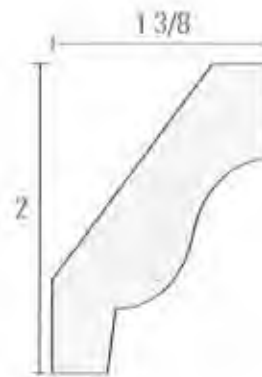
730 GERDA
10M 11/16 X 2 9/16



467 MATTHIAS
11/16 X 2 5/8



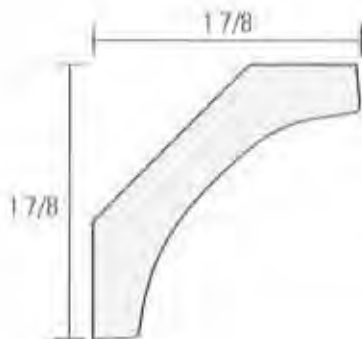
873 SENECA
11/16 X 2 9/16



1003 AVONDALE
11/16 X 2 5/8



1066 AJIDA
13/16 X 2 9/16



051 SENECA
F 11/16 X 2 5/8



288 FLORENCE
11/16 X 2 3/4

